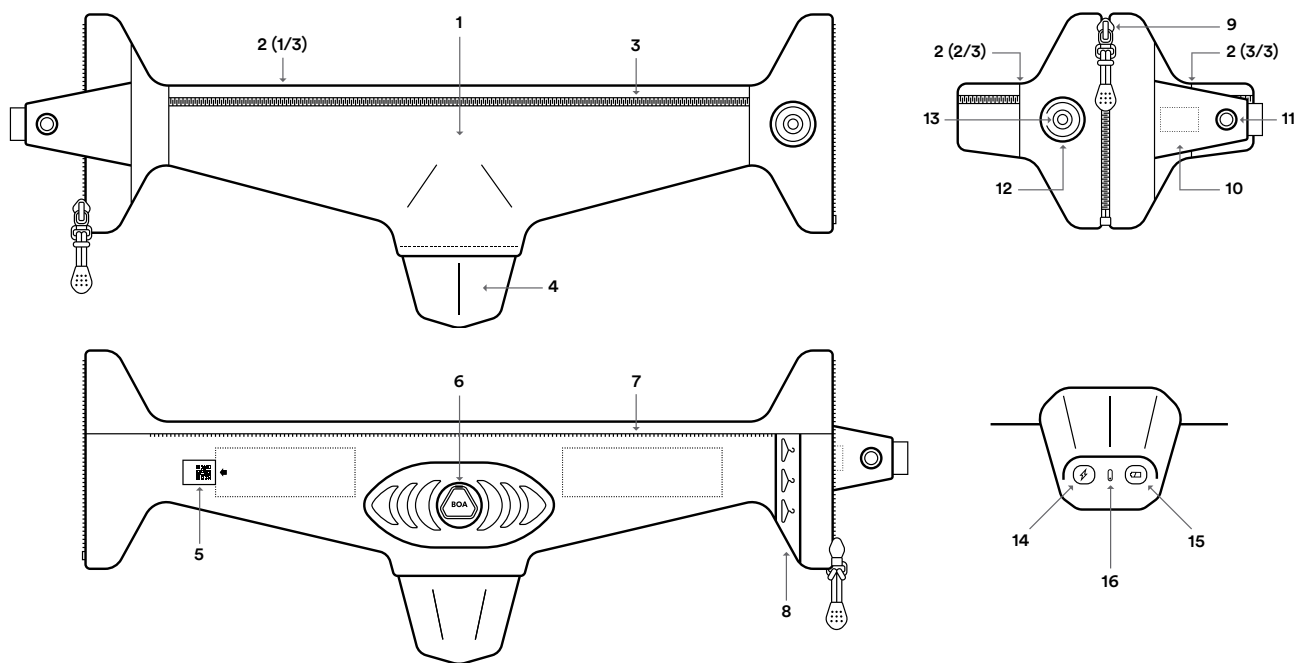


Hövding 3



- | | | |
|---------------------------------------|------------------------------|---------------------|
| 1. Collar | 7. Zipper cover – inside | 13. Front LED |
| 2. Tear seams (3 pcs) | 8. Hanger | 14. USB port |
| 3. Zipper cover – outside | 9. Zipper – front | 15. Function button |
| 4. Rear casing | 10. Activation tab | 16. Back LED |
| 5. Serial number | 11. Activation system male | |
| 6. Adjustment wheel (BOA® Fit System) | 12. Activation system female | |



17. Hövding with a correct snug fit directly around the neck.



18. Hövding with an incorrect, and too large fit, around the neck.



19. Hövding correctly placed with a hood. Hövding shall always be placed on top of the hood.



20. Hövding incorrectly placed with a hood. Hövding shall never be placed inside the hood and the hood shall never cover the tear seams on Hövding (2).

SAFETY INSTRUCTIONS

- Hövding shall only be activated when placed correctly around the neck and the cyclist is on the bicycle (see CYCLING WITH HÖVDING).
- Hövding's front and the zipper (9) shall never be folded inwards towards your neck.
- Do not cover any of the three tear seams (2) on Hövding; for example, with a scarf, hood, etc.
- Hövding shall not be used if the internal temperature of the product is below -10 °C (14 °F) or above 50 °C (122 °F).
- The activation system contains a magnet that activates Hövding. Avoid contact off the activation system female, on the right-hand side of Hövding, with other magnets (magnetic locks, speakers, etc.).
- Hövding contains delicate parts and shall be handled with care. Keep out of reach of children.
- For safety reasons, you are not permitted to modify your Hövding or add any object to it (by sewing, sticking, hanging, etc.).
- Hövding can withstand rainy weather but shall not be submerged in or exposed to water in any other way. To dry your Hövding after riding in the rain, place it flat with the cover facing upwards and the tear seams on the top facing downwards and the zipper (9) open. Do not dry Hövding with an external heat source such as a hair dryer or in a microwave oven.
- It is important for Hövding's light, and sounds signals to work properly as this is how Hövding communicates.
- Ensure that you always have the possibility to hear eventual sound signals from your Hövding, during use.
- Hövding will not be affected by a pacemaker. Kindly contact the supplier of your medical device for guidance about using your pacemaker with your Hövding.

AREA OF USE

Hövding 3 is designed to protect the head and shall only be activated when you are riding your bicycle. Hövding is only intended for cycling (not for other activities such as horse riding, moped riding, skiing, roller skating, skateboarding, etc.). The term cycling here means riding a bicycle in an urban environment or on a country road (not extreme cycling such as mountain biking, BMXing, downhill, racing, trick cycling or similar).

Hövding is only intended for use with two-wheeled bicycles (standard models), including electrically assisted bicycles. Hövding is not intended for use with special bikes (such as unicycles, tandems, recumbents, cargo bikes, kick bike/ e-scooter or other electrically assisted vehicles, etc.).

FOR WHO?

Hövding is approved for a head size of 52–59 cm (20.5–23.2") in circumference and neck size 32–45 cm (12.6–17.7") in circumference. Hövding is approved for cyclists aged 15 and over.

CHARGE THE BATTERY

To save battery when Hövding is not in use, all units have been set to sleep mode in the factory. Before use fully charge the battery (with a USB cable). After charging, Hövding will function normally. You can also press the Function button (15)

to check the battery level (Hövding then goes out of sleep mode).

Always fully charge the battery when charging the Hövding (it takes at least 2 hours). Charge Hövding by opening the lid to the USB port (14) on the underside of the rear casing (4), insert the accompanying USB cable into the USB port (14). Then plug the USB cable into an external charger with a USB port and charge through a wall socket. Close the lid over the USB port after charging is complete. While Hövding is charging, the Back LED (16) on the underside of rear casing (4) lights up with a flashing green light. When the Hövding is fully charged, the Back LED (16) lights up with a solid green light. Flashing red light of Back LED (16) indicates not optimal charging. Hövding is charging but will not show a solid green light on the Back LED (16) when fully charged. See below how to check the battery level. Hövding's battery lasts up to 12 hours of use depending on how much and how often the Hövding is used, user behaviour, temperature, weather, Bluetooth® connection, etc.

Check the battery level by pressing the Function button (15) on the underside of the rear casing (4). The USB-cable should always be disconnected when checking the battery level. The Back LED (16) on the underside of the rear casing will then indicate the battery level as follows:

- Solid green light - Hövding is fully charged
- Flashing green light - time to charge Hövding
- Solid red light - Hövding to be charged immediately

Hövding shall not be activated when charging. Hövding shall only be charged at temperatures between 5°C (41°F) and 40°C (104°F).

ADJUSTING THE FIT

Adjust the fit using the adjustment wheel (Boa® Fit System) (6) by turning it clockwise. Hövding shall fit snugly directly around your neck. For a larger size, pull out the adjustment wheel and stretch Hövding to the desired size. Then lock the adjustment wheel by pressing it in place.

FITTING THE COVER ONTO HÖVDING

Fit the included basic cover or seasonal cover (sold separately) before use. Hövding shall always be used with either a basic cover or a seasonal cover for Hövding 3.

Fitting on the included basic cover

Start by laying the Hövding in its fully extended position. Attach the longest zipper on the basic cover, with the zipper on the inside (7) of Hövding. Then adjust Hövding to the right size using the adjustment wheel (Boa® Fit System) (6) (see ADJUSTING THE FIT). Next, thread the basic cover over the rear casing and connect the other zipper (3) on the outside of Hövding. See instruction video at hovding.com.

Removing the basic cover

Unzip the two zippers on the outside and inside of Hövding and then remove the basic cover. See instruction video at hovding.com.

For safety reasons you are not allowed to use modified or self-designed covers. The Hövding covers are tested to work correctly in the event of a bicycle accident.

CYCLING WITH HÖVDING

- Ensure that Hövding has enough battery for your full journey (see CHARGE THE BATTERY).
- Ensure that Hövding has a basic cover, or a seasonal cover (sold separately) fitted (see FITTING THE COVER ONTO HÖVDING).
- Ensure that the fit of your Hövding is correctly adjusted (see ADJUSTING THE FIT).
- Place Hövding around your neck with the rear casing (4) down towards your back (between your shoulder blades) and the zipper (9) centred at the front. Close the zipper in the front (9) under your chin. Make sure that the entire zipper is properly connected all the way. To ensure that the airbag is correctly positioned in the event of an inflation, it is important for Hövding to fit snugly against your neck and the rear casing to be placed between your shoulder blades throughout your bicycle ride (17).
- Get on your bicycle.
- Activate your Hövding by placing the activation tab (10) over the closed zipper (9), then press the activation system male (11) all the way into the base of the activation system female (12) until it is fully inserted. Ensure that you hear the activation signal (see SIGNALS).*
- Start riding.
- When you have finished riding: Deactivate Hövding by opening the activation tab (10) (pull the activation system male out of the other activation system female). An audible signal will indicate that Hövding has been deactivated and the Front LED (13) will go out.
- You can now get off your bicycle.

* It is important that the activation system male (11) is fully inserted in the activation system female (12), even if the activation signal sounds a few millimetres earlier. Upon activation, the Front LED (13) briefly lights up red during its auto test, followed by a steady green light that becomes a flashing green light, indicating that Hövding is now activated. NOTE! Hövding only protects after the auto test has been completed.

STORAGE

There is a hanger (8) on the inside (left side) of Hövding which you can use to hang your Hövding when not in use. Hövding shall not be stored at temperatures below -20°C (-4°F) or above 60°C (140°F).

SLEEP MODE

For longer periods of storage (a few weeks), fully charge the Hövding before putting it into sleep mode by holding down the Function button (15) for 5 seconds, until the Back LED (16) goes out. When Hövding is set to sleep mode, it cannot be activated. Press the Function button (15) once (1 second) or start charging (see CHARGE THE BATTERY) to take Hövding out of sleep mode.

SIGNALS

For all light and sound signals, visit hovding.com. There are signals for the following functions:

Activation

An ascending audio signal and the Front LED (13) will light up (red for a brief period during an auto test, then a steady green that will change to flashing green).

Deactivation

A descending audio signal and the Front LED (13) will go out.

Battery check

When you press the Function button (15), the Back LED (16) on the rear casing (4) will indicate the battery level. See guide for LED signals under CHARGE THE BATTERY.

Low battery when cycling

A recurring short beep repeated every five minutes. The Front LED (13) shows a soft green light with repeated red flashes.

Critical battery level when cycling

'Low battery when cycling' beeps in fast succession. After 10 beeps, Hövding will indicate deactivation and switch off.

Hövding upside down when activated

If Hövding is activated when upside down, a clear repeated warning signal will sound, and the Front LED (13) will light steady red. Hövding will not function when placed upside down. If Hövding is activated when it is upside down, it can only be reset by Hövding being deactivated and placed the right way around.

Critical error in Hövding when cycling

Clear repeated warning signal with the Front LED (13) flashing red. If Hövding cannot be activated after a 'Critical error' signal, the product is no longer usable.

BLUETOOTH®

Hövding is equipped with Bluetooth® 5 BLE. The Hövding App is available on the App Store and Google Play. For more information visit hovding.com. Bluetooth® pairing is activated by holding down the Function button (15) for 3 seconds. The Back LED (16) will start by toggling RED and GREEN, when pairing is completed the Back LED (16) will show a steady green light and an upgoing signal is heard. Hövding will exit Bluetooth® pairing mode when the device is unplugged or after 1 minute.

HÖVDING'S SERIAL NUMBER

The serial number (5) is located on the inside of Hövding, folded into a pocket by the arrow with the text 'Serial Number' (M + 9 digits). The serial number will be visible

after removing the basic or seasonal cover. If Hövding has been paired with the Hövding App, the serial number is also visible in the app.

MAINTENANCE AND SERVICE

Regularly check to ensure that Hövding does not have any visible damage. If it does, you need to file a claim in the Hövding App or at your retailer. Do not use Hövding if it is visibly damaged. Hövding shall not be repaired, sewn in, disassembled, or altered.

Hövding cannot be washed. Any stains can be removed by gently rubbing Hövding with a damp cloth. The basic cover is washable (see washing instructions on its inside).

The battery in Hövding is not exchangeable.

To ensure that Hövding always has access to the latest software, we recommend that Hövding is paired with the Hövding App.

HAIRSTYLES, OUTERWEAR AND HEADPHONES

Most hairstyles and many types of headgear do not pose any problem to the inflation of the airbag. For information about

hairstyles and headgear that are not recommended for use with Hövding, visit hovding.com.

A hooded sweatshirt or jacket can be used with Hövding provided that the hood is folded down and lies under the Hövding, or if it is thinner, folded up inside the Hövding. The hood must not cover any of the three tear seams (2) on the Hövding (19, 20).

A scarf or shawl can be used with the Hövding but must not cover any of the three tear seams (2) on the Hövding.

Hövding shall have a snug fit directly against your neck, except if soft garments are used (by soft garments we mean soft, thin fabric garments without zips or other fastenings, e.g., collars, hoods, scarves) inside Hövding. Measure with a tape measure around the neck including the garment, if the measurement is less than 45 cm in circumference at the largest point, it is possible to use the soft garment together with Hövding.

Small in-ear headphones can be used with Hövding. However, cycling with headphones is not recommended for safety reasons as there is a risk that you will not hear signals from traffic or signals emitted by Hövding.

FLYING WITH HÖVDING

Visit hovding.com for current information.

WHEN DOES HÖVDING PROVIDE PROTECTION?

If Hövding interprets the cyclist's movements as though the cyclist is about to fall, the airbag will inflate in 0.1 second to protect the cyclist's head and neck.

Hövding will react and inflate in response to movements that lies outside the programmed normal cycling pattern (by the cyclist when in a bicycle accident). The airbag reaches full inflation in 0.1 second. If there is an impact to the head before Hövding has reacted and managed to fully inflate, Hövding will not provide adequate protection. Examples of such situations include objects falling from above directly onto the cyclist's head, the cyclist riding into a tree branch at head height and the cyclist colliding directly with a flat-fronted vehicle.

Hövding cannot guarantee full protection against sharp objects.

In exceptional cases, Hövding may inflate in incidents that are not considered bicycle accidents. A safety margin has been built into the product for Hövding to register one bicycle accident too many than one too few. When Hövding is activated, it compares the cyclist's movements with the programmed movement pattern, 200 times per second. Thousands of tests have been made to establish a normal cycling pattern. Hövding can interpret movements that differ from this pattern as an impending bicycle accident and will then inflate to protect the cyclist.

AFTER INFLATION

An inflated Hövding cannot (for safety reasons) be reused. Just like a traditional bicycle helmet, Hövding shall be replaced with a new one after a bicycle accident.

LIFE SPAN

The expected lifetime of Hövding is around 5 years, depending on the frequency of use.

IMPORTANT INFORMATION

When Hövding reaches a temperature of below -10 °C (14 °F), it will emit a warning signal (read more about Hövding's signals at hovding.com) indicating that the temperature is too low, and it can then not be activated. When Hövding returns to a temperature above -10 °C (14 °F), it can be activated.

The following secondary effects of inflation are known in some cases:

- The sound level during inflation is below the threshold for injury but may still be unpleasant. If you have a hearing impairment or impaired hearing, you should consult your doctor before you use a Hövding.
- Teeth – we know of a few cases in which teeth and the tongue have been damaged during inflation.
- Breathing/discomfort – when Hövding inflates, it fits tightly around the neck to ensure that the airbag is positioned correctly. The airbag maintains its pressure for a few seconds before the air is slowly released. This is a safety measure that is built in to optimise protection from secondary impacts. It may lead to a feeling of discomfort, and it may feel difficult to breathe. The pressure around your neck is harmless. The aim is to stabilise your head and neck in a bicycle accident.
- Fainting/discomfort – just as above, you may feel discomfort when Hövding inflates. In very rare cases, the user has fainted when Hövding is inflated.

EU DECLARATION OF CONFORMITY

We, Hövding Sverige AB, Box 17020, SE-200 10 Malmö, Sweden declare under our sole responsibility that the following Personal Protective Equipment, Hövding 3 'Airbag for Urban Cyclists', is in conformity with Regulation (EU) 2016/425 of the European Parliament and of the Council of 9 March 2016 on personal protective equipment (PPE), Directive 2011/65/EU of the European Parliament and of the Council of 8 June 2011 on the restriction of the use of certain hazardous substances in electrical and electronic equipment, Regulation (EC) No 1907/2006 of the European Parliament and of the Council of 18 December 2006 concerning the Registration, Evaluation, Authorisation and Restriction of Chemicals (REACH), Directive 2014/53/EU of the European Parliament and of the Council of 16 April 2014 on the harmonisation of the laws of the Member States relating to the making available on the market of radio equipment (RED), in accordance with SP method 4439 version 2:8, EN/IEC 61000-6-1:2016, EN/IEC 61000-6-3:2006/A1:2010, ETSI EN 301 489-1 v.2.1.1, -3 v.2.1.1, and -17 v.3.1.1., ETSI EN 300 328 v2.1.1 (pre-approved BLE radio module Laird BL652-SA), and that the Hövding 3 'Airbag for Urban Cyclists' is identical to the Personal Protective Equipment which is the subject of EC type examination No. SC0228-19 issued by Notified Body No. 0402 RISE Research Institutes of Sweden AB, Box 857, SE-501 15 Borås, Sweden. hovding.com

RECYCLING

For information about recycling, visit hovding.com.

CONTACT

hovding.com, Hövding Sverige AB, Box 17020, SE-200 10 Malmö, Sweden