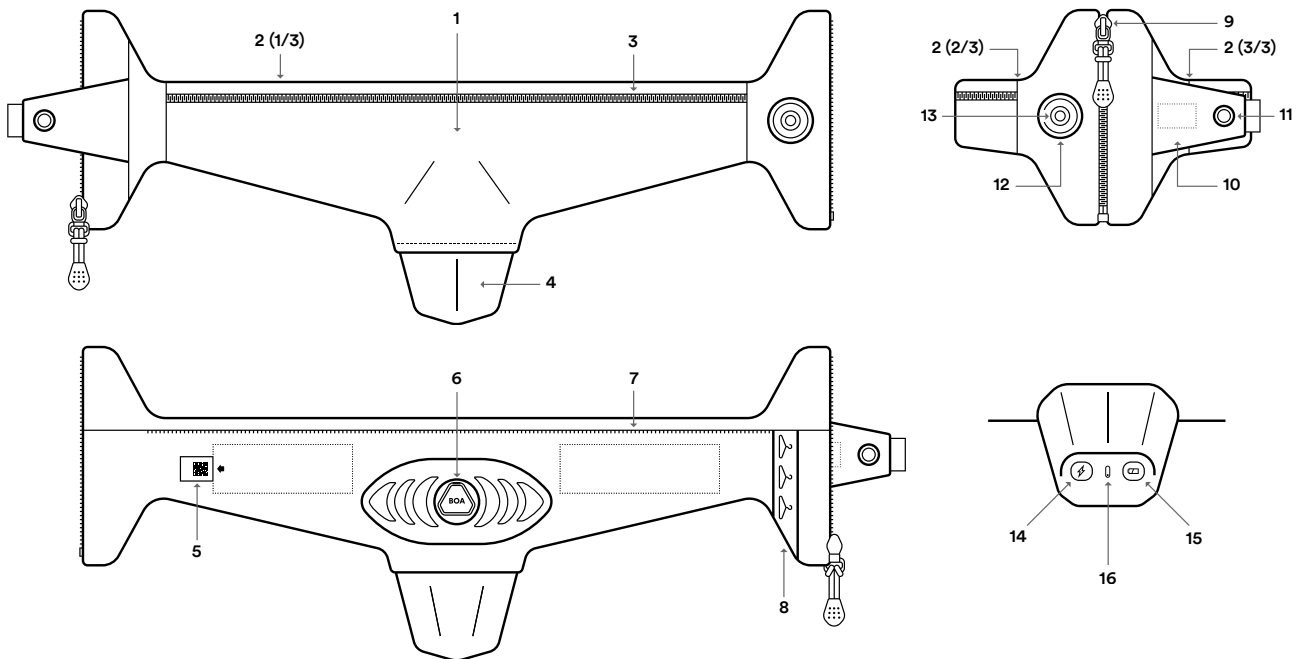


Hövding 3



- | | | |
|---------------------------------------|-------------------------------|--------------------------|
| 1. Collar | 7. Zipper cover – inside | 13. Front LED |
| 2. Split seams (3 pcs) | 8. Hanger | 14. USB port |
| 3. Zipper cover – outside | 9. Zipper – front | 15. Multifunction button |
| 4. Rear casing | 10. Activation tab | 16. Back LED |
| 5. Serial number | 11. Activation system, male | |
| 6. Adjustment wheel (BOA® Fit System) | 12. Activation system, female | |

AREA OF USE

Hövding 3 is designed to protect the head and should only be activated when cycling. Hövding is only intended for cycling (not for other activities such as horseback riding, moped riding, skiing, roller skates, skateboarding, etc.). The term cycling here means riding a bicycle in an urban environment or on a country road (not extreme cycling such as mountain biking, BMXing, downhill cycling, racing, trick cycling or similar).

Hövding is only intended for use with two wheeled bicycles (standard models), including electric assisted bicycles. Hövding is not intended for use with specialist bicycles (such as unicycles, tandem bicycles, recumbent bicycles,

cargo bikes or other electric assisted vehicles, etc.).

WHO CAN WEAR IT?

Hövding is approved for head sizes of 52–59 cm (20.5–23.2”) in circumference and neck size 34–45 cm (13.4–17.7”) in circumference. Hövding is approved for cyclists from the age of 15 and up.

CHARGING THE BATTERY

To save the battery when Hövding is not in use, all units have been set to sleep mode in the factory. After Hövding is removed from its packaging for the first time, the battery must be fully charged (with USB cable). After charging, Hövding will function normally. You can also press

the Multifunction button (15) to check the battery level (Hövdning then comes out of sleep mode).

Always fully charge the battery when charging Hövdning (this takes up to two hours). Charge Hövdning by inserting the accompanying USB cable into the USB port (14) on the underside of the rear casing (4). Then plug the USB cable into an external charger with an USB port and charge via a wall outlet. Close the lid over the USB port after charging is complete. When Hövdning is fully charged, a solid green light will light up on the underside of the rear casing. Hövdning's battery lasts for 14-16 hours of use.

Check the battery level by pressing the Multifunction button (15) on the underside of the rear casing (4). The Back LED (16) on the underside of the rear casing will then indicate the battery level as follows:

- Solid green light – over 50% battery left
- Flashing green light – 20–50% battery left
- Solid red light – less than 20% battery left

Hövdning must not be activated when charging. Hövdning should only be charged at temperatures between 5°C (41°F) to 40°C (104°F). The battery in Hövdning is not exchangeable.

ADJUSTING THE FIT

Adjust the fit using the adjustment wheel (Boa® Fit System) (6) by turning it clockwise until you get a tight fit directly against the neck during use. For a larger size, pull out the adjustment wheel and stretch Hövdning to the desired size. Then lock the adjustment wheel by pressing it down again. Place Hövdning around your neck with the rear casing (4) down towards your back (between your shoulder blades) and the zipper (9) centered at the front.

FITTING THE COVER ONTO THE COLLAR

Fit the included basic cover or seasonal cover (sold separately) before first use. Hövdning must always be used with either a basic cover or a seasonal cover.

Putting on the included basic cover: Start by laying the collar (1) in its fully extended position. Attach the longest zipper on the basic cover, with the zipper on the inside (7) of the collar. Then adjust the collar to the right size using the adjustment wheel (Boa® Fit System) (6) (see ADJUSTING THE FIT). Next, thread the basic cover over the rear casing and connect the other zipper on the outside of the collar (3). Watch an instructional video at hovding.com.

Removing the basic cover: Unzip the two zippers on the outside and inside of the collar and then remove the basic cover. Watch an instructional video at hovding.com.

For safety reasons it is not allowed to use modified or self-designed covers. The Hövdning covers are tested to work correctly in the event of an accident.

CYCLING WITH HÖVDNING

- Ensure that Hövdning has enough battery power for your full journey (see CHARGING THE BATTERY).
- Ensure that Hövdning has a basic cover or a seasonal cover (sold separately) fitted (see FITTING THE COVER ONTO THE COLLAR).
- Ensure that Hövdning is correctly adjusted (see ADJUSTING THE FIT).

- Place Hövdning around your neck and close the zipper at the front (9) under your chin.
- Make sure that the entire zipper is properly connected all the way.
- Get on your bicycle.
- Place the activation tab (10) over the closed zipper (9). Activate Hövdning by pressing the activation system (male), into the other activation system (female). There will be an audible signal and the Front LED (13) will light up (red for a brief period during an auto-test, then a solid green that will change to flashing green) to indicate that Hövdning is activated.
- Start biking.
- When you are done biking: Deactivate Hövdning by opening the activation tab (10) (pull the activation system (male) out of the other activation system (female). An audible signal will indicate that Hövdning has been deactivated and the Front LED (13) will go out.
- You can now dismount your bicycle.

STORAGE

There is a hanging device (8) on the inside of the collar, which you can use to hang up your Hövdning when it is not in use. Hövdning should not be stored at temperatures below -20°C (-4°F) or above 60°C (140°F). When storing Hövdning for longer periods, be sure to put it into sleep mode (see SLEEP MODE).

SLEEP MODE

When storing Hövdning for a longer period of time (several weeks), put Hövdning into sleep mode by holding down the Multifunction button (15) for 5 seconds, until the Back LED (16) goes out.

SIGNALS

To view and listen to all signals visit hovding.com. There are signals for the following functions:

Activation

An ascending audio signal and the Front LED (13) will light up (red for a brief period during an auto test, then a solid green that will change to flashing green).

Deactivation

A descending audio signal and the Front LED (13) will go out.

Battery check

When you press the Multifunction button (15), the Back LED (16) on the rear casing (4) will indicate the battery level. See guide for LED signals under CHARGING THE BATTERY.

Low battery when cycling

A recurring short beep repeated every five minutes. The Front LED (13) shows a soft green light with repeated red flashes.

Critical battery level when cycling

“Low battery when cycling” beeps in close succession. After 10 beeps, Hövdning will indicate deactivation and switch off.

Hövdning placed around the neck the wrong way up

If Hövdning is placed around the neck the wrong way up, a clear repeated warning beep and the Front LED (13) will show a solid red light. Hövdning will not activate. Can only

be reset by deactivating.

Critical error in Hövding when cycling

Clear repeated warning signal with the Front LED (13) with a flashing red light. Please contact your retailer or Hövding via hovding.com if your Hövding experiences a critical error.

BLUETOOTH®

Hövding is equipped with Bluetooth® 5 BLE. The app is available on the App Store and Google Play. For more information visit hovding.com. Bluetooth® pairing is activated by holding down the Multifunction button (15) for 3 seconds. Hövding will exit the Bluetooth® pairing mode when the device is unplugged or after 1 min.

HÖVDING'S SERIAL NUMBER

The serial number (5) is located on the inside of the collar folded into a pocket by the arrow with the text "Serial Number" (M + 9 digits). The serial number will not be visible if there is a basic cover or seasonal cover fitted.

MAINTENANCE AND SERVICE

Regularly check to ensure that Hövding does not have any visible damage; if this occurs, contact your retailer or our customer service team at hovding.com for further information. Do not use Hövding if it is visibly damaged. Hövding must not be repaired, sewn in, disassembled or altered.

Hövding can withstand rainy weather but must not be submerged or exposed to water in any other way. Do not dry Hövding with an external heat source such as a hair dryer or in a microwave oven. Hövding cannot be washed. Any stains can be removed by gently rubbing the collar with a damp cloth. The basic cover is washable (see washing instructions on its inside).

HAIRSTYLES, HEADGEAR AND HEADPHONES

Most hairstyles and many headgears do not pose any problem for an inflation of the airbag. For information about hairstyles and headgears that are not recommended to use with Hövding, visit hovding.com.

Small in-ear headphones can be used with Hövding. For safety reasons, cycling with headphones is however not recommended, as there is a risk that you will not hear signals from the traffic or signals emitted by Hövding.

FLYING WITH HÖVDING

Visit hovding.com for current information.

WHEN DOES HÖVDING PROVIDE PROTECTION?

Hövding will react and inflate in response to movements that lies outside the programmed normal cycling pattern (by the cyclist when in an accident). The airbag in Hövding reaches full inflation within about one tenth of a second (0.1 second). If impact to the head occurs before Hövding has reacted and managed to fully inflate, Hövding will not provide adequate protection. Examples of such situations include objects that fall from above directly down onto the cyclist's head, incidents where the cyclist cycles into a tree branch at head level and incidents in which a cyclist collides directly with a flat-fronted vehicle.

Hövding cannot guarantee full protection against sharp objects.

In exceptional cases, Hövding may inflate in incidents that are not considered accidents. A safety margin has been built into the product so that Hövding will more likely react

than not (better for Hövding to register one accident too many than one too few). As soon as Hövding is activated, it compares the cyclist's movement pattern with the programmed movement pattern 200 times per second. Thousands of tests have been made in order to determine what is a normal cycling movement pattern. Hövding can interpret movements that differ from this pattern as an impending accident and will in such cases inflate in order to protect the cyclist.

AFTER INFLATION

An inflated Hövding cannot (due to safety reasons) be reused but should (just like a traditional bicycle helmet) be replaced with a new one after an accident.

LIFE SPAN

Expected lifetime for Hövding is circa 5 years, depending on the frequency of use.

IMPORTANT INFORMATION

- Hövding should only be activated if it is fitted correctly around the neck and if the cyclist is sitting on their bicycle (see CYCLING WITH HÖVDING).
- Do not cover any of the three split seams (2) on Hövding; for example, with a scarf, hood, etc.
- When Hövding reaches a temperature of below -10 °C (14 °F), it will emit a warning signal (read more about Hövding's signals at hovding.com) indicating that the temperature is too low and that it cannot start. When Hövding returns to temperatures above -10 °C (14 °F), it will start up again.
- Hövding should not be used if the internal temperature of the product is below -10 °C (14 °F) or above 50 °C (122 °F).
- The activation system contains a magnet that activates Hövding. It is therefore important to make sure that the activation system (female) on the right-hand side of the collar does not come into contact with other magnets (magnetic locks, speakers, etc.).
- Hövding contains delicate parts and should be handled carefully. Keep out of reach of children.

EU DECLARATION OF CONFORMITY

We, Hövding Sverige AB, Box 17020, SE-200 10 Malmö, Sweden declare under our sole responsibility that the following Personal Protective Equipment Hövding 3 "Airbag for Urban Cyclists" is in conformity with Regulation (EU) 2016/425 of the European Parliament and of the Council of 9 March 2016 on personal protective equipment (PPE), Directive 2011/65/EU of the European Parliament and of the Council of 8 June 2011 on the restriction of the use of certain hazardous substances in electrical and electronic equipment, Regulation (EC) No 1907/2006 of the European Parliament and of the Council of 18 December 2006 concerning the Registration, Evaluation, Authorisation and Restriction of Chemicals (REACH), Directive 2014/53/EU of the European Parliament and of the Council of 16 April 2014 on the harmonisation of the laws of the Member States relating to the making available on the market of radio equipment (RED), in accordance with SP method 4439 version 2:8, EN/IEC 61000-6-1:2016, EN/IEC 61000-6-3:2006/A1:2010, ETSI EN 301 489-1 v.2.1.1, -3 v2.1.1, and -17 v3.1.1., ETSI EN 300 328 v2.1.1 (pre-approved BLE radio module Laird BL652-SA), and that the

Hövding 3 “Airbag for Urban Cyclists” is identical to the Personal Protective Equipment which is the subject of EC type-examination No. SC0228-19 issued by Notified Body No. 0402 RISE Research Institutes of Sweden AB, Box 857, SE-501 15 Borås, Sweden. hovding.com

RECYCLING

For information about recycling, visit hovding.com.

CONTACT

hovding.com, Hövding Sverige AB, Box 17020, SE-200 10 Malmö, Sweden